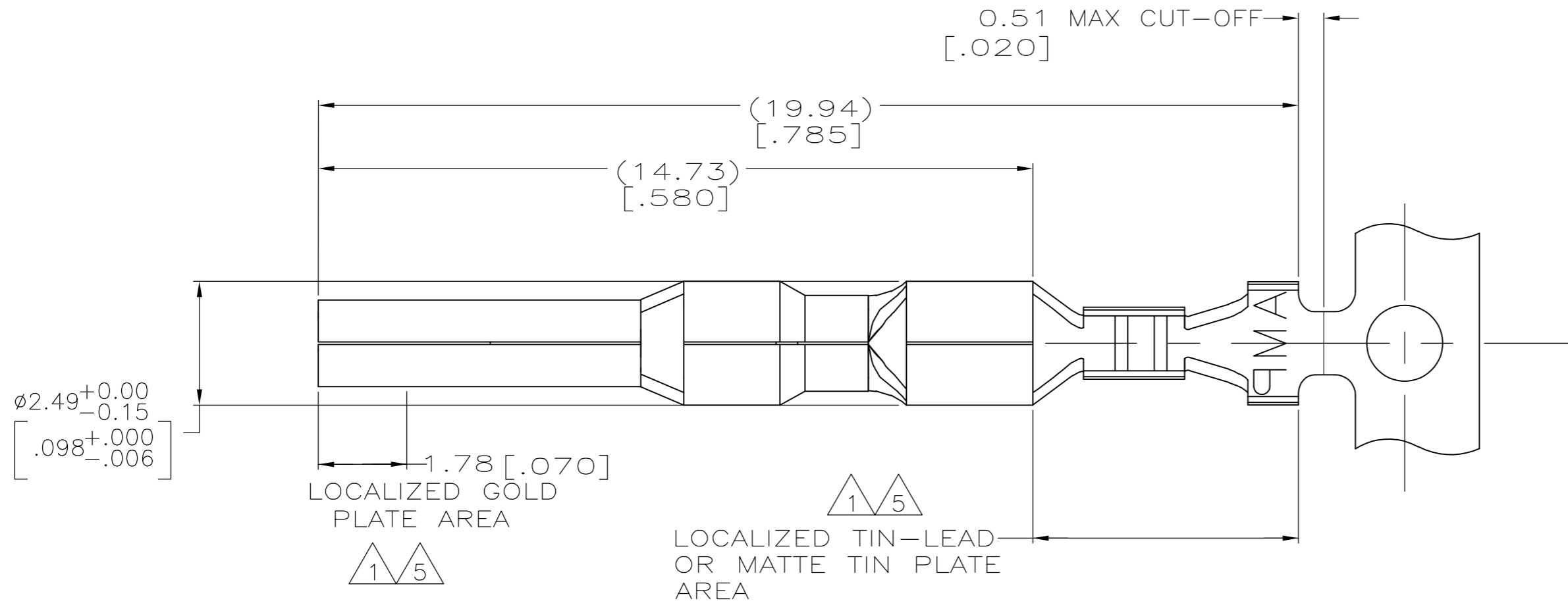
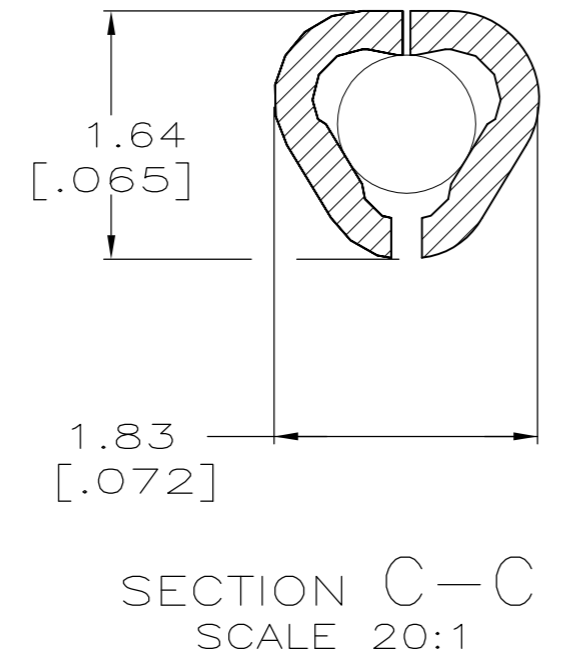
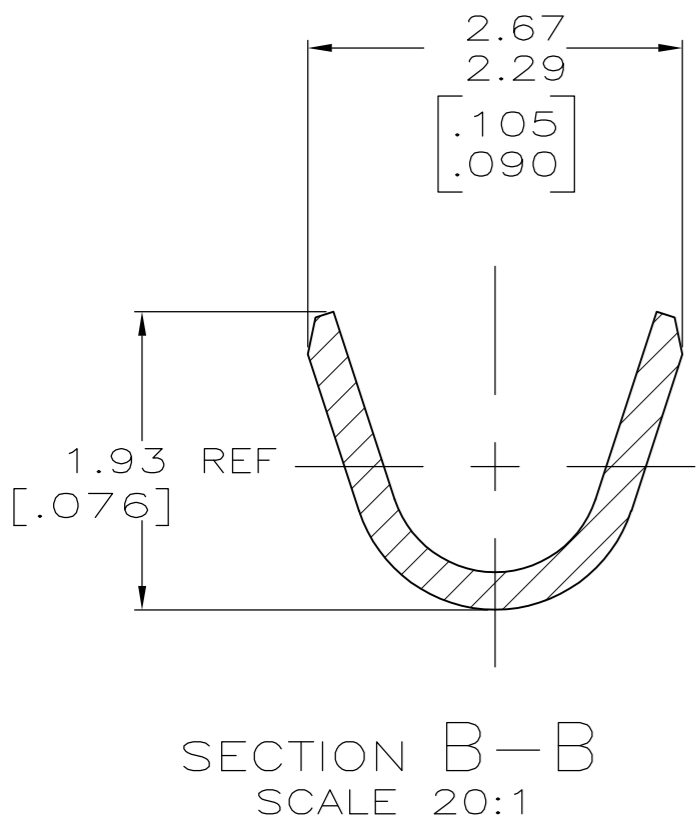
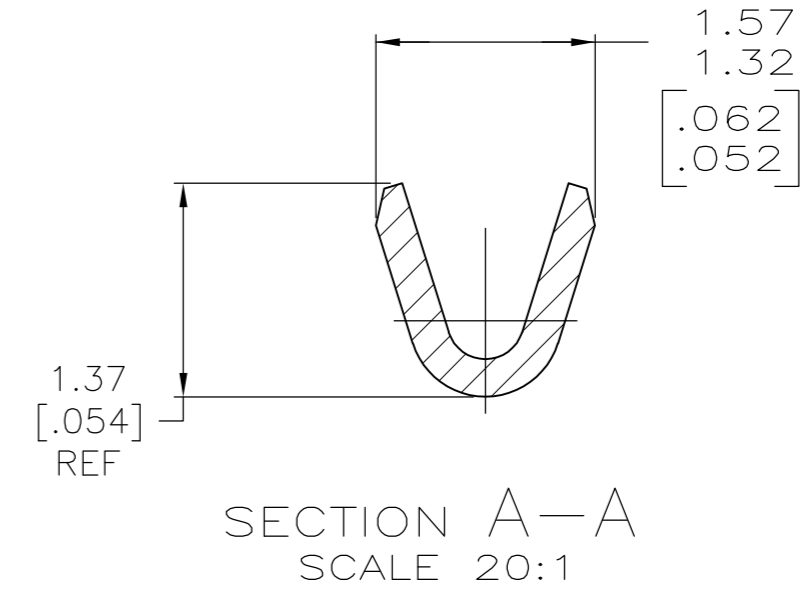
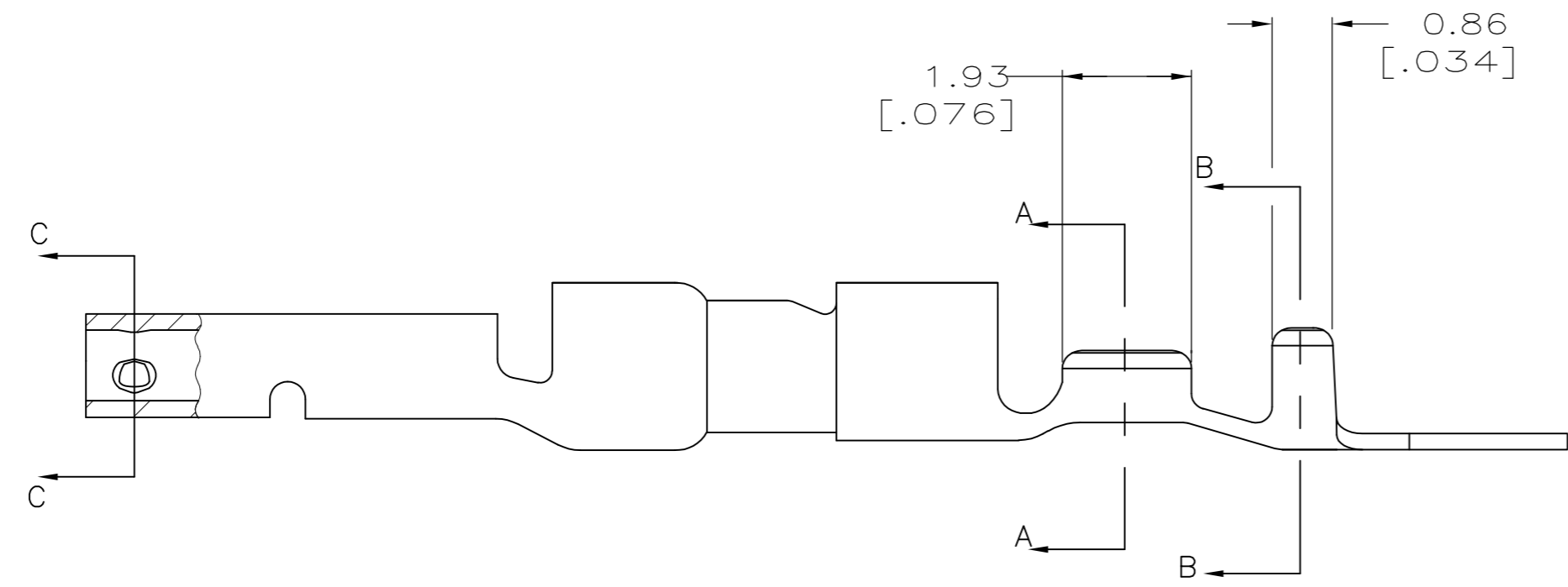


THIS DRAWING IS UNPUBLISHED. RELEASED FOR PUBLICATION  
 © COPYRIGHT - By - ALL RIGHTS RESERVED.

LOC		DIST		REVISIONS			
P	LTR	DESCRIPTION		DATE	DWN	APVD	
CM	0	F2	REVISED PER ECR-12-010267	05JUN12	JR	TM	
		G	REVISED PER ECR-13-011599	08NOV13	AV	RP	



- 1 0.00076 [.000030] MIN GOLD IN LOCALIZED GOLD PLATE AREA AND 0.00254 [.000100] MIN BRIGHT TIN-LEAD IN LOCALIZED TIN-LEAD PLATE AREA OVER 0.0013 [.000050] MIN NICKEL.
- 2 WIRE RANGE: 0.05 - 0.15MM<sup>2</sup> (30-26 AWG).
- 3 INSULATION RANGE: 0.89-1.27[.035-.050] DIA.
- 4 DIMENSIONS IN BRACKETS ARE IN INCHES.
- 5 0.00076 [.000030] MIN GOLD IN LOCALIZED GOLD PLATE AREA AND 0.00254 [.000100] MIN MATTE TIN IN LOCALIZED TIN PLATE AREA OVER 0.0013 [.000050] MIN NICKEL.



5	0.25[.010] BRASS	1-794217-0
1	0.25[.010] BRASS	794217-3
PRE-TIN	0.25[.010] BRASS	794217-1
FINISH	MATERIAL	PART NUMBER

THIS DRAWING IS A CONTROLLED DOCUMENT.		DWN	R. VESTAL	1-15-97	 TE Connectivity
DIMENSIONS: mm [INCHES]		CHK	R. SWING	1-15-97	
TOLERANCES UNLESS OTHERWISE SPECIFIED:		APVD	-	-	
0 PLC ± - 1 PLC ± - 2 PLC ± - 3 PLC ± 0.30 [.012] 4 PLC ± - ANGLES ± -		PRODUCT SPEC	-	-	
MATERIAL	SEE TABLE	FINISH	SEE TABLE	WEIGHT	-
CUSTOMER DRAWING		SCALE	10:1	SHEET	1 OF 1
NAME		SOCKET, MINI UNIVERSAL MATE-N-LOK 2		RESTRICTED TO	-
SIZE	A2	CAGE CODE	00779	DRAWING NO	C=794217
REV	G	SCALE 10:1		SHEET 1 OF 1	REV G